

SB2000DM Quick Attach Snow Blade Mount

The SB2000DM Snow Blade Mount is designed to work exclusively with the HLA2DM mounting option for the SB1000 & 2000 series snow blades.

The undermount is securely connected to both the front and rear of your tractor chassis. The force is distributed through the mount from the front providing incredible pushing strength.

The single pin QTach design allows for uncomplicated mounting and dismounting of the snow blade.

Available for most makes, the SB2000DM mount with HLA2DM mounting option includes all hardware and hose kits allowing for easy installation.

SB2000DM Quick Attach Snow Blade Mount	Weight	UOM	Part #	Price
SB2000DM Quick Attach Snow Blade Mount	400 lbs	ea	SB2000DM	\$2,843.00
Optional Factory Blade Installation - SB2000DM		ea	SB2000IN	\$946.00

SB2000DM Features

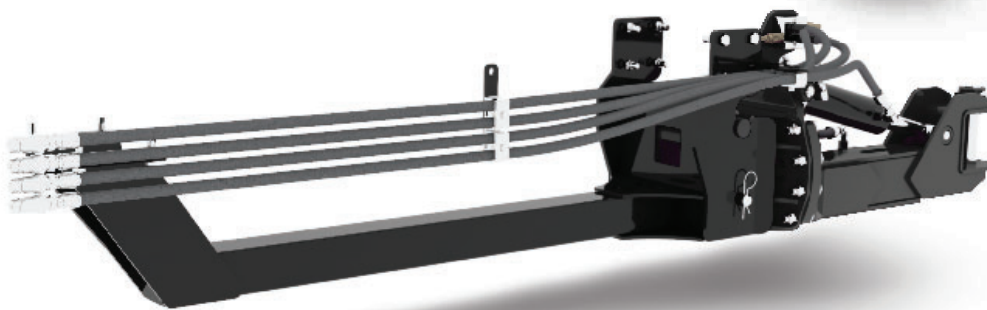
- QTach from blade to snow blade mount is standard
- Mounts available for most makes, call dealer for details

HLA2DM Features

- Angle and lift hydraulics
- Cross over relief valve – protects blade and tractor
- Radial hydraulic lift
- Lateral Float: allows blade to follow ground contours
- Mounting hardware and hose kits included

To Order And Price Blades Fitting To SB2000DM Quick Attach Snow Blade Mount

Choose desired blade part # and add mounting part #HLA2DM, which is Price Code C. Specify if connecting to midmount valve or rear remotes.



2000 Series Blade Mounts	
Model #	Part #
Bobcat	
Bobcat CT1025	SB2000DMBOCT1025
Bobcat CT2035	SB2000DMBOCT2535
Bobcat CT2535	SB2000DMBOCT2535

Case IH	
Case IH Farmall 31	SB2000DMCIFAR31
Case IH Farmall DX31	SB2000DMCIFAR31
Case IH Farmall 35A	SB2000DMCIFAR35C
Case IH Farmall 35C	SB2000DMCIFAR35C
Case IH Farmall 40C	SB2000DMCIFAR35C



2000 Series Snow Blade Mounts

John Deere	
John Deere 1025R	SB2000DMJD1026R
John Deere 1026R	SB2000DMJD1026R
John Deere 2025R S# 0 - 1LV2025RCHH100000	SB2000DMJD2320
John Deere 2025R S# 1LV2025RCHH100001 - en	SB2000DMJD2025R
John Deere 2026R S# 1LV2026RTHH200003 - en	SB2000DMJD2025R
John Deere 2032R North American Edition	SB2000DMJD2032R
John Deere 2032R Worldwide Edition	SB2000DMJD2032R
John Deere 2038R North American Edition	SB2000DMJD2032R
John Deere 2038R Worldwide Edition	SB2000DMJD2032R
John Deere 2320	SB2000DMJD2320
John Deere 2520	SB2000DMJD2520
John Deere 3033R	SB2000DMJD3720
John Deere 3038R	SB2000DMJD3720
John Deere 3039R	SB2000DMJD3720
John Deere 3045R	SB2000DMJD3720
John Deere 3046R	SB2000DMJD3720
John Deere 3320	SB2000DMJD3720
John Deere 3520	SB2000DMJD3720
John Deere 3720	SB2000DMJD3720
John Deere 4005	SB2000DMJD4005
John Deere 4044M	SB2000DMJD4066R
John Deere 4044R	SB2000DMJD4066R
John Deere 4049M	SB2000DMJD4066R
John Deere 4049R	SB2000DMJD4066R
John Deere 4052M	SB2000DMJD4066R
John Deere 4052R	SB2000DMJD4066R
John Deere 4310	SB2000DMJD3720
John Deere 4320	SB2000DMJD4320
John Deere 4410	SB2000DMJD3720
John Deere 4520	SB2000DMJD4320
John Deere 4600	SB2000DMJD4600
John Deere 4610	SB2000DMJD4600
John Deere 4720	SB2000DMJD4320

Kioti	
Kioti DK35SE	SB2000DMKIDK35SE
Kioti DK45SE	SB2000DMKIDK45SE
Kioti CK2510	SB2000DMKICK2510
Kioti DK 4710 SE	SB2000DMKIDK4710SE
Kioti NX6010	SB2000DMKINX6010

Kubota	
Kubota L2501	SB2000DMKUL3800
Kubota LX2610	SB2000DMKUB3000
Kubota B2650	SB2000DMKUB3000
Kubota B3000	SB2000DMKUB3000
Kubota B3030	SB2000DMKUB3000
Kubota B3350	SB2000DMKUB3000
Kubota L3301	SB2000DMKUL3800
Kubota LX3310	SB2000DMKUB3000
Kubota L3400	SB2000DMKUL3800
Kubota L3560	SB2000DMKUL3940
Kubota L3800	SB2000DMKUL3800
Kubota L3830	SB2000DMKUL3830
Kubota L3901	SB2000DMKUL3800
Kubota L3940	SB2000DMKUL3940
Kubota L4060	SB2000DMKUL3940
Kubota L4240	SB2000DMKUL3940

Kubota L4400	SB2000DMKUL3940
Kubota L4630	SB2000DMKUL3940
Kubota L4760	SB2000DMKUL3940

Mahindra	
Mahindra eMax 20S	SB2000DMMHEMX20S
Mahindra eMax 25L	SB2000DMMHEMX25L
Mahindra 2555	SB2000DMMH2655
Mahindra 2655	SB2000DMMH2655
Mahindra 6010	SB2000DMMH6010

Massey Ferguson	
Massey Ferguson 1526	SB2000DMMF1526
Massey Ferguson 1635	SB2000DMMF1635
Massey Ferguson 1643	SB2000DMMF1643
Massey Ferguson 1726E	SB2000DMMF1739E
Massey Ferguson 1734E	SB2000DMMF1739E
Massey Ferguson 1735E	SB2000DMMF1739E
Massey Ferguson 1735M	SB2000DMMF1735M
Massey Ferguson 1736	SB2000DMMF1736
Massey Ferguson 1739E	SB2000DMMF1739E
Massey Ferguson 1740M	SB2000DMMF1735M
Massey Ferguson 1742	SB2000DMMF1749
Massey Ferguson 1749	SB2000DMMF1749
Massey Ferguson 1750M	SB2000DMMF1760M
Massey Ferguson 1754	SB2000DMMF1758
Massey Ferguson 1755M	SB2000DMMF1760M
Massey Ferguson 1758	SB2000DMMF1758
Massey Ferguson 1760M	SB2000DMMF1760M
Massey Ferguson 1825E	SB2000DMMF1825E
Massey Ferguson 1835M	SB2000DMMF1835M
Massey Ferguson 2860M Hydrostatic	SB2000DMMF2860M

Montana	
Montana R2844	SB2000DMMTR3644
Montana R3644	SB2000DMMTR3644

New Holland	
New Holland Workmaster 25S	SB2000DMNHWM25S
New Holland 3050	SB2000DMNH3050
New Holland Boomer 40	SB2000DMNHB40
New Holland Boomer 47	SB2000DMNHB47
New Holland 45D	SB2000DMNH3050
New Holland 50D	SB2000DMNH3050
New Holland Boomer 50 Tier 4B	SB2000DMNHB50
New Holland Boomer 55	SB2000DMNHB50

Yanmar	
Yanmar YT359	SB2000DMYAYT359

SB2QDM Quick Attach Snow Blade Mount NEW!

The HLA Quick Attach Snow Blade Mount is securely connected to both the front and rear of your tractor. Relying on the rear of the mount, the force is pushed through the drawbar from the front of the mount providing incredible pushing strength. With parallel linkage, you can rest assured that the blade will always remain parallel to the ground whether it's raised for stacking snow or at full angle.

The quick release design relies on model-specific adapter brackets fitted to the tractor chassis. With the hydraulics connected, down pressure on the blade allows you to raise the undermount, aligning it with the front of the bracket. Once engaged, reversing the pressure raises the rear of the undermount, locking it into place.

Available for most makes, the undercarriage mount includes hardware, hose kits and electro - hydraulic wire kit allowing for easy installation.

SB2QDM Quick Attach Snow Blade Mount	Weight	UOM	Part #	Price
SB2QDM Quick Attach Snow Blade Mount less Mount Kit	920 lbs	ea	SB2QDMF	\$3,715.00
SB2QDM Quick Attach Undermount Mount Kit	125 lbs	ea	see tractor listing	\$1,989.00
Optional Factory Blade Installation - SB2QDM		ea	SB2000IN	\$946.00

To Order And Price Blades Fitting To SB2QDM Quick Attach Snow Blade Mount

Choose desired blade part # and add mounting part #HLA2QDM, which is Price Code C, to fit the undermount lift arms.



1 Power and Control

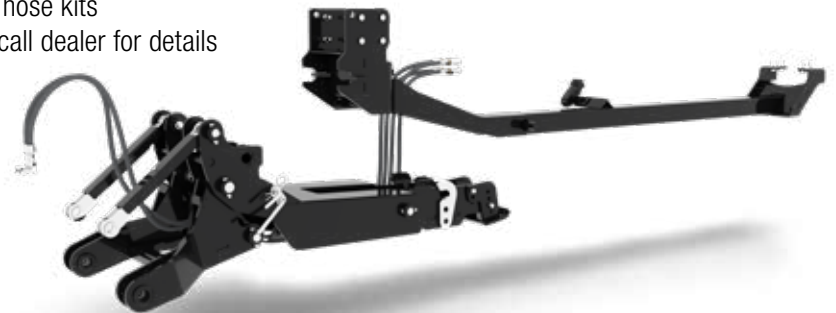
- Parallel linkage for optimum lifting height
- Package includes all mounting hardware and hose kits
- Mount Kits available for most tractor makes, call dealer for details
- Soft ride accumulator standard

2 Parallel Vertical Lift

- Blade remains parallel to ground even at full angle and raised
- Extra height for piling snow

3 Quick Release System

- Quick Release system allows for removal of the complete mount and snowblade in minutes



SB2QDM QUICK ATTACH SNOW BLADE MOUNT





SB2QDM Quick Attach Snow Blade Mount Kits

SB2QDM Quick Attach Snow Blade Mount Kits	
Model #	Part #
John Deere	
John Deere 4044M	SB2QDMBJD4052R
John Deere 4044R	SB2QDMBJD4052R
John Deere 4049M	SB2QDMBJD4052R
John Deere 4049R	SB2QDMBJD4052R
John Deere 4052M	SB2QDMBJD4052R
John Deere 4052R	SB2QDMBJD4052R
John Deere 4066M	SB2QDMBJD4052R
John Deere 4066R	SB2QDMBJD4075R
John Deere 4075R	SB2QDMBJD4075R
Kubota	
Kubota L3940	SB2QDMBKUL6060
Kubota L4060	SB2QDMBKUL6060
Kubota L4240	SB2QDMBKUL6060
Kubota L4400	SB2QDMBKUL6060
Kubota L4630	SB2QDMBKUL6060
Kubota L4760	SB2QDMBKUL6060
Kubota L5240	SB2QDMBKUL6060
Kubota L5740	SB2QDMBKUL6060
Kubota MX6000	SB2QDMBKUL6060
Kubota L6060	SB2QDMBKUL6060

SB3QDM Quick Attach Snow Blade Mount

The HLA Quick Attach Snow Blade Mount is securely connected to both the front and rear of your tractor. Relying on the rear of the mount, the force is pushed through the drawbar from the front of the mount providing incredible pushing strength. With parallel linkage, you can rest assured that the blade will always remain parallel to the ground whether it's raised for stacking snow or at full angle.

The quick release design relies on front and rear adapter brackets fitted to the tractor chassis. With the hydraulics connected, down pressure on the blade allows you to raise the undermount aligning it with the front bracket. Once engaged reversing the pressure raises the rear of the undermount locking it into the rear bracket.

Available for most makes, the undercarriage mount includes all hardware, hose kits and electro - hydraulic wire kit allowing for easy installation.

SB3QDM Quick Attach Snow Blade Mount	Weight	UOM	Part #	Price
SB3QDM Quick Attach Snow Blade Mount less Mount Kit	1030 lbs	ea	SB3QDMQF	\$5,362.00
SB3QDM Quick Attach Undermount Mount Kit	130 lbs	ea	see tractor listing	\$2,233.00
Optional Hydraulic Top Link Kit for SB3QDMQF	45 lbs	ea	SB3QDMHTLK	\$1,751.00
Optional Factory Blade Installation - SB3QDM		ea	SB3000IN	\$946.00



To Order And Price Blades Fitting To SB3QDM Quick Attach Snow Blade Mount

Choose desired blade part # and add mounting part #AO600, which is Price Code A.
To fit the Euro carrier



1 Power and Control

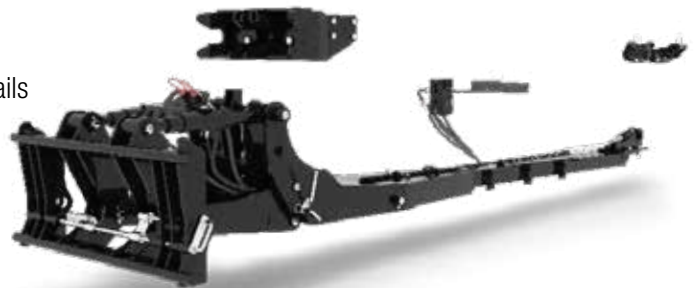
- Heavy duty parallel linkage for optimum lifting height
- AO600 Euro quick attach for attachments is standard
- Package includes all mounting hardware and hose kits
- Mount Kits available for most tractor makes, call dealer for details
- Soft ride accumulator standard

2 Parallel Vertical Lift

- Blade remains parallel to ground even at full angle and raised
- Extra height for piling snow

3 Quick Release System

- Quick Release system allows for removal of the complete mount and snowblade in minutes



SB3QDM QUICK ATTACH SNOW BLADE MOUNT

SB3QDM Quick Attach Snow Blade Mount Kits	
Model #	Part #
Case IH	
Case IH Farmall 55A Tier 4B (09/18 -)	SB3QDMBCIFM75A
Case IH Farmall 65A Tier 4B (09/18 -)	SB3QDMBCIFM75A
Case IH Farmall 65C	SB3QDMBNHT475

Case IH Farmall 75A Tier 4B (09/18 -)	SB3QDMBCIFM75A
Case IH Farmall 75C	SB3QDMBNHT475
Case IH Farmall 85U	SB3QDMBNHT5040
Case IH Farmall 90C	SB3QDMBNHT4100
Case IH Farmall 95C	SB3QDMBNHT4100
Case IH Farmall 95U No Suspension	SB3QDMBNHT5040
Case IH Farmall 100C	SB3QDMBNHT4100



SB3QDM Quick Attach Snow Blade Mount Kits

Case IH Farmall 105U No Suspension	SB3QDMBNHT5040
Case IH Farmall 110C	SB3QDMBNHT4100
Case IH Farmall 110U No Suspension	SB3QDMBNHT5040
Case IH Farmall 115U No Suspension	SB3QDMBNHT5040
Case IH Farmall 120C	SB3QDMBNHT4100
Case IH Farmall 120U No Suspension	SB3QDMBNHT5040

John Deere

John Deere 5045E	SB3QDMBJD5075E
John Deere 5055E	SB3QDMBJD5075E
John Deere 5065E	SB3QDMBJD5075E
John Deere 5065M iT4/FT4	SB3QDMBJD5095M
John Deere 5075E	SB3QDMBJD5075E
John Deere 5075M (iT4/FT4 -2017)	SB3QDMBJD5095M
John Deere 5075M (2018-)	SB3QDMBJD5100R
John Deere 5083E	SB3QDMBJD5525
John Deere 5085M	SB3QDMBJD5095M
John Deere 5085E	SB3QDMBJD5525
John Deere 5090E	SB3QDMBJD5525
John Deere 5090M	SB3QDMBJD5100R
John Deere 5090R	SB3QDMBJD5100R
John Deere 5093E	SB3QDMBJD5525
John Deere 5095M	SB3QDMBJD5095M
John Deere 5100M (-2017)	SB3QDMBJD5095M
John Deere 5100M (2018-)	SB3QDMBJD5100R
John Deere 5100E	SB3QDMBJD5525
John Deere 5100R	SB3QDMBJD5100R
John Deere 5101E	SB3QDMBJD5525
John Deere 5105M	SB3QDMBJD5095M
John Deere 5115M (-2017)	SB3QDMBJD5095M
John Deere 5115M (2018-)	SB3QDMBJD5100R
John Deere 5115R	SB3QDMBJD5100R
John Deere 5125R	SB3QDMBJD5100R
John Deere 5220	SB3QDMBJD5525
John Deere 5225	SB3QDMBJD5525
John Deere 5425	SB3QDMBJD5525
John Deere 5525	SB3QDMBJD5525
John Deere 5603	SB3QDMBJD5525
John Deere 5625	SB3QDMBJD5525

Kioti

Kioti PX1153	SB3QDMBKIPX1153
Kioti RX6010	SB3QDMBKIRX6010
Kioti RX7320	SB3QDMBKIRX6010
Kioti PX9020	SB3QDMBKIPX9020
Kioti PX9530	SB3QDMBKIPX1153

Kubota

Kubota M4D-061HDCC12	SB3QDMBKUM7040
Kubota M4D-071HDCC12	SB3QDMBKUM7040
Kubota M4-071HDCC12	SB3QDMBKUM7040
Kubota M5-091	SB3QDMBKUM5091
Kubota M5-111	SB3QDMBKUM5091
Kubota M5140	SB3QDMBKUM7040
Kubota M7040	SB3QDMBKUM7040
Kubota M7060	SB3QDMBKUM7040

Mahindra

Mahindra 105P	SB3QDMBMH105P
Mahindra 9110S (2017 & older)	SB3QDMBMH9110
Mahindra 9110S (2018 & newer)	SB3QDMBMH9125P
Mahindra 9110P (2017 & older)	SB3QDMBMH9110

Mahindra 9110P (2018 & newer)	SB3QDMBMH9125P
Mahindra 9125S (2017 & older)	SB3QDMBMH9110
Mahindra 9125S (2018 & newer)	SB3QDMBMH9125P
Mahindra 9125P (2017 & older)	SB3QDMBMH9110
Mahindra 9125P (2018 & newer)	SB3QDMBMH9125P

Massey Ferguson

MF 4607	SB3QDMBMF4609
MF 4608	SB3QDMBMF4609
MF 4609	SB3QDMBMF4609
MF 4610	SB3QDMBMF4609
MF 4707	SB3QDMBMF4710
MF 4708	SB3QDMBMF4710
MF 4709	SB3QDMBMF4710
MF 4710	SB3QDMBMF4710
MF 5609, Dyna 4 & 6	SB3QDMBMF5612
MF 5610, Dyna 4 & 6	SB3QDMBMF5612
MF 5611, Dyna 4 & 6	SB3QDMBMF5612
MF 5612, Dyna 4 & 6	SB3QDMBMF5612
MF 5613, Dyna 4 & 6	SB3QDMBMF5612
MF 5710 SL, Dyna 4 & 6	SB3QDMBMF5612
MF 5711 SL, Dyna 4 & 6	SB3QDMBMF5612
MF 5710 Global	SB3QDMBMF6713
MF 5711 Global	SB3QDMBMF6713
MF 5712 SL, Dyna 4 & 6	SB3QDMBMF5612
MF 5713 SL, Dyna 4 & 6	SB3QDMBMF5612
MF 5S.115 Dyna 4 No Suspension	SB3QDMBMF5S115
MF 5S.115 Dyna 6 No Suspension	SB3QDMBMF5S115
MF 6711 Tier 4 Engine	SB3QDMBMF6713
MF 6712 Global Tier 4 Engine	SB3QDMBMF6713
MF 6713 Global Tier 4 Engine	SB3QDMBMF6713

New Holland

New Holland Workmaster 55 Tier 4B (09/18 -)	SB3QDMBCIFM75A
New Holland Workmaster 65 Tier 4B (09/18 -)	SB3QDMBCIFM75A
New Holland Workmaster 75 Tier 4B (09/18 -)	SB3QDMBCIFM75A
New Holland Power Star 65	SB3QDMBNHT475
New Holland Power Star 75	SB3QDMBNHT475
New Holland Power Star 90	SB3QDMBNHT4100
New Holland Power Star 100	SB3QDMBNHT4100
New Holland Power Star 110	SB3QDMBNHT4100
New Holland Power Star 120	SB3QDMBNHT4100
New Holland T4.65	SB3QDMBNHT475
New Holland T4.75	SB3QDMBNHT475
New Holland T4.100	SB3QDMBNHT4100
New Holland T4.110	SB3QDMBNHT4100
New Holland T4.120	SB3QDMBNHT4100
New Holland T5.90	SB3QDMBNHT4100
New Holland T5.95	SB3QDMBNHT5040
New Holland T5.100 (up to 2018)	SB3QDMBNHT5040
New Holland T5.100 (2019 -)	SB3QDMBNHT4100
New Holland T5.105	SB3QDMBNHT5040
New Holland T5.110 Dual Command	SB3QDMBNHT4100
New Holland T5.110 Electro Command	SB3QDMBNHT5040
New Holland T5.115	SB3QDMBNHT5040
New Holland T5.120 Dual Command	SB3QDMBNHT4100
New Holland T5.120 Electro Command	SB3QDMBNHT5040
New Holland T5040	SB3QDMBNHT5040
New Holland T5050	SB3QDMBNHT5040
New Holland T5060	SB3QDMBNHT5040
New Holland T5070	SB3QDMBNHT5040

SB4QDM Quick Attach Snow Blade Mount

The HLA Quick Attach Snow Blade Mount is securely connected to both the front and rear of your tractor. Relying on the rear of the mount, the force is pushed through the drawbar from the front of the mount providing incredible pushing strength. With parallel linkage, you can rest assured that the blade will always remain parallel to the ground whether it's raised for stacking snow or at full angle.

The quick release design relies on front and rear adapter brackets fitted to the tractor chassis. With the hydraulics connected, down pressure on the blade allows you to raise the undermount aligning it with the front bracket. Once engaged reversing the pressure raises the rear of the undermount locking it into the rear bracket.

Available for most makes, the undercarriage mount includes all hardware, hose kits and electro - hydraulic wire kit allowing for easy installation.

SB4QDM Quick Attach Snow Blade Mount	Weight	UOM	Part #	Price
SB4QDM Quick Attach Snow Blade Mount less Mount Kit	1210 lbs	ea	SB4QDMQF	\$7,009.00
SB4QDM Quick Attach Undermount Mount Kit	135 lbs	ea	see tractor listing	\$2,471.00
Optional Hydraulic Top Link Kit for SB4QDMQF	50 lbs	ea	SB4QDMHTLK	\$1,916.00
Optional Factory Blade Installation - SB4QDM		ea	SB4000IN	\$1,550.00

To Order And Price Blades Fitting To SB4QDM Quick Attach Snow Blade Mount

Choose desired blade part # and add mounting part #AO600, which is Price Code A.
To fit the Euro carrier



1 Power and Control

- Heavy duty parallel linkage for optimum lifting height
- AO600 Euro quick attach for attachments is standard
- Package includes all mounting hardware and hose kits
- Mount kits available for most tractor makes, call dealer for details
- Soft ride accumulator standard

2 Parallel Vertical Lift

- Blade remains parallel to ground even at full angle and raised
- Extra height for piling snow

3 Quick Release System

- Quick Release system allows for removal of the complete under mount in minutes



SB4QDM Quick Attach Snow Blade Mount Kits

SB4QDM Quick Attach Snow Blade Mount Kits	
Model #	Part #
Agco	
Agco RT120A Tier 3 Engine	SB4QDMBAGRT120AT3
Agco RT120A Tier 3 Engine, With Suspension	SB4QDMBAGRT120AT3
Agco RT140A Tier 3 Engine	SB4QDMBAGRT120AT3
Agco RT155A Tier 3 Engine	SB4QDMBAGRT120AT3
Case IH	
Case IH MXU100	SB4QDMBCIMXU125
Case IH Vestrum 100	SB4QDMBCIVE100
Case IH Farmall 105U No Suspension	SB4QDMBNHT5060
Case IH Farmall 110C	SB4QDMBNHT4120
Case IH Farmall 110U No Suspension	SB4QDMBNHT5060
Case IH Maxxum 110	SB4QDMBCIMXU125
Case IH MXU110	SB4QDMBCIMXU125
Case IH Farmall 115U No Suspension	SB4QDMBNHT5060
Case IH Maxxum 115	SB4QDMBCIMXU125
Case IH MXU115	SB4QDMBCIMXU125
Case IH Farmall 120C	SB4QDMBNHT4120
Case IH Farmall 120U No Suspension	SB4QDMBNHT5060
Case IH Maxxum 120	SB4QDMBCIMXU125
Case IH Vestrum 120	SB4QDMBCIVE100
Case IH Maxxum 125	SB4QDMBCIMXU125
Case IH MXU125 No Suspension	SB4QDMBCIMXU125
Case IH MXU125 With Suspension	SB4QDMBCIMXU125
Case IH MXU130 No Suspension	SB4QDMBCIMXU125
Case IH MXU130 With Suspension	SB4QDMBCIMXU125
Case IH Vestrum 130	SB4QDMBCIVE100
Case IH MXU135 No Suspension	SB4QDMBCIMXU125
Case IH MXU135 With Suspension	SB4QDMBCIMXU125
Case IH Maxxum 140 No Suspension	SB4QDMBCIMXU125
Case IH Maxxum 145 No Suspension	SB4QDMBCIMXU125
Case IH Maxxum 150	SB4QDMBCIMXU125
Case IH Puma 115 T3 No Suspension	SB4QDMBCIPU140
Case IH Puma 115 T3 With Suspension	SB4QDMBCIPU140
Case IH Puma 125 T3 No Suspension	SB4QDMBCIPU140
Case IH Puma 125 T3 With Suspension	SB4QDMBCIPU140
Case IH Puma 130 T3 No Suspension	SB4QDMBCIPU140
Case IH Puma 130 T3 With Suspension	SB4QDMBCIPU140
Case IH Puma 140 T3 No Suspension	SB4QDMBCIPU140
Case IH Puma 140 T3 With Suspension	SB4QDMBCIPU140
Case IH Puma 145 T3 No Suspension	SB4QDMBCIPU140
Case IH Puma 145 T3 With Suspension	SB4QDMBCIPU140
Case IH Puma 150 T4 No Suspension	SB4QDMBCIPU140
Case IH Puma 150 T4 With Suspension	SB4QDMBCIPU140
Case IH Puma 155 T3 No Suspension	SB4QDMBCIPU140
Case IH Puma 155 T3 With Suspension	SB4QDMBCIPU140
Case IH Puma 160 T4 No Suspension	SB4QDMBCIPU140
Case IH Puma 160 T4 With Suspension	SB4QDMBCIPU140
Case IH Puma 165 T3 No Suspension	SB4QDMBCIPU185
Case IH Puma 165 T3 With Suspension	SB4QDMBCIPU185
Case IH Puma 165 T4 No Suspension	SB4QDMBCIPU140
Case IH Puma 165 T4 With Suspension	SB4QDMBCIPU140
Case IH Puma 180	SB4QDMBCIPU185
Case IH Puma 185 Tier4 No Suspension	SB4QDMBCIPU185
Case IH Puma 185 Tier4 With Suspension	SB4QDMBCIPU185
Challenger	
Challenger MT475D No Suspension	SB4QDMBAGRT120AT3
Challenger MT475D with Suspension	SB4QDMBAGRT120AT3

Challenger MT525B T3 Engine,CVT, No Suspension	SB4QDMBAGRT120AT3
Challenger MT525B T3 Engine,CVT, With Suspension	SB4QDMBAGRT120AT3
Challenger MT535B T3 Engine,CVT, No Suspension	SB4QDMBAGRT120AT3
Challenger MT535B T3 Engine,CVT, With Suspension	SB4QDMBAGRT120AT3
Challenger MT555B T3 Engine,CVT, No Suspension	SB4QDMBAGRT120AT3
Challenger MT565B T3 Engine,CVT No Suspension	SB4QDMBAGRT120AT3
Challenger MT565B T3 Engine,CVT With Suspension	SB4QDMBAGRT120AT3

Deutz Fahr	
Deutz Fahr 5120TTV	SB4QDMBDF5130TTV
Deutz Fahr 5130TTV	SB4QDMBDF5130TTV
Deutz Fahr 6160TTV	SB4QDMBDF6160TTV

Fendt	
Fendt 512 NA Gen3	SB4QDMBFT514V
Fendt 512 NA S4	SB4QDMBFT514V
Fendt 512 Vario SCR	SB4QDMBFT514V
Fendt 512 S4	SB4QDMBFT514V
Fendt 513 NA Gen3	SB4QDMBFT514V
Fendt 513 NA S4	SB4QDMBFT514V
Fendt 513 Vario SCR	SB4QDMBFT514V
Fendt 513 S4	SB4QDMBFT514V
Fendt 514 NA Gen3	SB4QDMBFT514V
Fendt 514 NA S4	SB4QDMBFT514V
Fendt 514 Vario SCR	SB4QDMBFT514V
Fendt 514 S4	SB4QDMBFT514V
Fendt 516 NA Gen3	SB4QDMBFT514V
Fendt 516 NA S4	SB4QDMBFT514V
Fendt 516 Vario SCR	SB4QDMBFT514V
Fendt 516 S4	SB4QDMBFT514V
Fendt 711	SB4QDMBFT712
Fendt 712	SB4QDMBFT712
Fendt 712NA	SB4QDMBFT712
Fendt 714	SB4QDMBFT712
Fendt 714NA	SB4QDMBFT712
Fendt 714 NA Gen6	SB4QDMBFT722NA
Fendt 714 NA S4	SB4QDMBFT722NA
Fendt 714 S4	SB4QDMBFT716VO
Fendt 716	SB4QDMBFT712
Fendt 716 S4	SB4QDMBFT716VO
Fendt 716 NA	SB4QDMBFT712
Fendt 716 NA Gen6	SB4QDMBFT722NA
Fendt 716 NA S4	SB4QDMBFT722NA
Fendt 718	SB4QDMBFT712
Fendt 718 S4	SB4QDMBFT716VO
Fendt 718 NA	SB4QDMBFT712
Fendt 718 NA Gen6	SB4QDMBFT722NA
Fendt 718 NA S4	SB4QDMBFT722NA
Fendt 720 S4	SB4QDMBFT716VO
Fendt 720 NA Gen6	SB4QDMBFT722NA
Fendt 720 NA S4	SB4QDMBFT722NA
Fendt 722 S4	SB4QDMBFT716VO
Fendt 722 NA Gen6	SB4QDMBFT722NA
Fendt 722 NA S4	SB4QDMBFT722NA
Fendt 724 S4	SB4QDMBFT716VO
Fendt 724 NA Gen6	SB4QDMBFT722NA
Fendt 724 NA S4	SB4QDMBFT722NA
Fendt 815	SB4QDMBFT712

SB4QDM Quick Attach Snow Blade Mount Kits

Fendt 815 NA	SB4QDMBFT712
Fendt 817	SB4QDMBFT712
Fendt 817 NA	SB4QDMBFT712
Fendt 818	SB4QDMBFT712
Fendt 818 NA	SB4QDMBFT712
Fendt 820	SB4QDMBFT712
Fendt 820 NA	SB4QDMBFT712

John Deere	
John Deere 5100M (-2017)	SB4QDMBJD5115M
John Deere 5100M (2018-)	SB4QDMBJD5125R
John Deere 5100R	SB4QDMBJD5125R
John Deere 5115M (-2017)	SB4QDMBJD5115M
John Deere 5115M (2018-)	SB4QDMBJD5125R
John Deere 5115R	SB4QDMBJD5125R
John Deere 5125R	SB4QDMBJD5125R
John Deere 5125R With Suspension	SB4QDMBJD5125R
John Deere All 6000 Series	SB4QDMBJD6U6000
John Deere All 6010 Series	SB4QDMBJD6U6000
John Deere All 6020 Series	SB4QDMBJD6U6000
John Deere 6100D Serial # 0 - 050000	SB4QDMBJD6130D
John Deere 6100D Serial # 050001 - end	SB4QDMBJD6130DWE
John Deere 6105D	SB4QDMBJD6130DWE
John Deere 6105E	SB4QDMBJD6130DWE
John Deere 6105M	SB4QDMBJD6U6000
John Deere 6105R	SB4QDMBJD6U6000
John Deere 6110M	SB4QDMBJD6U6000
John Deere 6110R	SB4QDMBJD6U6000
John Deere 6115D Serial # 0 - 050000	SB4QDMBJD6130D
John Deere 6115D Serial # 050001 - end	SB4QDMBJD6130DWE
John Deere 6115M	SB4QDMBJD6U6000
John Deere 6115R	SB4QDMBJD6U6000
John Deere 6120E	SB4QDMBJD6130DWE
John Deere 6120M	SB4QDMBJD6U6000
John Deere 6120R	SB4QDMBJD6U6000
John Deere 6125M	SB4QDMBJD6U6000
John Deere 6125R	SB4QDMBJD6U6000
John Deere 6130D Serial # 050001 - end	SB4QDMBJD6130DWE
John Deere 6130M	SB4QDMBJD6U6000
John Deere 6130R	SB4QDMBJD6U6000
John Deere 6135E	SB4QDMBJD6130DWE
John Deere 6140D Serial # 0 - 050000	SB4QDMBJD6130D
John Deere 6140D Serial # 050001 - end	SB4QDMBJD6130DWE
John Deere 6140M (- MY19)	SB4QDMBJD6U6140R
John Deere 6140M (MY20)	SB4QDMBJD6U6000
John Deere 6140R	SB4QDMBJD6U6140R
John Deere 6145M	SB4QDMBJD6U6140R
John Deere 6145R	SB4QDMBJD6U6140R
John Deere 6150M	SB4QDMBJD6U6140R
John Deere 6150R	SB4QDMBJD6U6140R
John Deere 6155R	SB4QDMBJD6U6140R
John Deere 6170M	SB4QDMBJD6U6170R
John Deere 6170R	SB4QDMBJD6U6170R
John Deere 6175M	SB4QDMBJD6U6170R
John Deere 6190M	SB4QDMBJD6U6170R
John Deere 6190R	SB4QDMBJD6U6170R
John Deere 6195R	SB4QDMBJD6U6170R
John Deere 6210M	SB4QDMBJD6U6170R
John Deere 6210R	SB4QDMBJD6U6170R
John Deere 6415	SB4QDMBJD6U6000
John Deere 6130	SB4QDMBJD6U6000
John Deere 6230	SB4QDMBJD6U6000

John Deere 6330	SB4QDMBJD6U6000
John Deere 6430	SB4QDMBJD6U6000
John Deere 6615	SB4QDMBJD6U7130
John Deere 6715	SB4QDMBJD6U7130
John Deere 7130	SB4QDMBJD6U7130
John Deere 7210	SB4QDMBJD6U7130
John Deere 7220	SB4QDMBJD6U7130
John Deere 7230	SB4QDMBJD6U7130
John Deere 7320	SB4QDMBJD6U7130
John Deere 7330	SB4QDMBJD6U7130
John Deere 7410	SB4QDMBJD6U7130
John Deere 7420	SB4QDMBJD6U7130
John Deere 7430	SB4QDMBJD6U7130
John Deere 7510	SB4QDMBJD6U7130
John Deere 7520	SB4QDMBJD6U7130

Kubota	
Kubota M126GX No Suspension	SB4QDMBKUM126GX
Kubota M126X	SB4QDMBKUM126X
Kubota M135GX No Suspension	SB4QDMBKUM126GX
Kubota M135X	SB4QDMBKUM126X
Kubota M6 101	SB4QDMBKUM6111
Kubota M6 111	SB4QDMBKUM6111
Kubota M6S 111	SB4QDMBKUM6S111
Kubota M6 131 No Suspension	SB4QDMBKUM126GX
Kubota M6 141 No Suspension	SB4QDMBKUM126GX
Kubota M6 141 With Suspension	SB4QDMBKUM126GX
Kubota M7 131 With Suspension	SB4QDMBKUM7171
Kubota M7 132 With Suspension	SB4QDMBKUM7171
Kubota M7 151 With Suspension	SB4QDMBKUM7171
Kubota M7 152 With Suspension	SB4QDMBKUM7171
Kubota M7 171 With Suspension	SB4QDMBKUM7171
Kubota M7 172 With Suspension	SB4QDMBKUM7171

Massey Ferguson	
MF 5S.115 Dyna 4 No Suspension	SB4QDMBMF5S135
MF 5S.115 Dyna 6 No Suspension	SB4QDMBMF5S135
MF 5S.135 Dyna 4 No Suspension	SB4QDMBMF5S135
MF 5S.135 Dyna 6 No Suspension	SB4QDMBMF5S135
MF 5S.145 Dyna 4 No Suspension	SB4QDMBMF5S135
MF 5S.145 Dyna 6 No Suspension	SB4QDMBMF5S135
MF 6614 Dyna-VT No Suspension	SB4QDMBAGRT120AT3
MF 6614 Dyna-VT With Suspension	SB4QDMBAGRT120AT3
MF 6615 Dyna-VT No Suspension	SB4QDMBAGRT120AT3
MF 6615 Dyna-VT With Suspension	SB4QDMBAGRT120AT3
MF 6616 Dyna-VT No Suspension	SB4QDMBAGRT120AT3
MF 6616 Dyna-VT With Suspension	SB4QDMBAGRT120AT3
MF 7480 Tier 3 Engine, No Suspension	SB4QDMBAGRT120AT3
MF 7480 Tier 3 Engine, With Suspension	SB4QDMBAGRT120AT3
MF 7485 Tier 3 Engine, No Suspension	SB4QDMBAGRT120AT3
MF 7485 Tier 3 Engine, With Suspension	SB4QDMBAGRT120AT3
MF 7490 Tier 3 Engine, No Suspension	SB4QDMBAGRT120AT3
MF 7490 Tier 3 Engine, With Suspension	SB4QDMBAGRT120AT3
MF 7495 Tier 3 Engine, No Suspension	SB4QDMBAGRT120AT3
MF 7495 Tier 3 Engine, With Suspension	SB4QDMBAGRT120AT3
MF 7499 Tier 3 Engine, No Suspension	SB4QDMBAGRT120AT3
MF 7499 Tier 3 Engine, With Suspension	SB4QDMBAGRT120AT3
MF 7615 DynaVT Tier 4 Engine, No Suspension	SB4QDMBAGRT120AT3
MF 7615 DynaVT Tier 4 Engine, With Suspension	SB4QDMBAGRT120AT3
MF 7616 DynaVT Tier 4 Engine, No Suspension	SB4QDMBAGRT120AT3
MF 7616 DynaVT Tier 4 Engine, With Suspension	SB4QDMBAGRT120AT3

SB4QDM Quick Attach Snow Blade Mount Kits

MF 7618 DynaVT Tier 4 Engine, No Suspension	SB4QDMBAGRT120AT3
MF 7618 DynaVT Tier 4 Engine, With Suspension	SB4QDMBAGRT120AT3
MF 7619 DynaVT Tier 4 Engine, No Suspension	SB4QDMBAGRT120AT3
MF 7619 DynaVT Tier 4 Engine, With Suspension	SB4QDMBAGRT120AT3
MF 7620 DynaVT Tier 4 Engine, No Suspension	SB4QDMBAGRT120AT3
MF 7620 DynaVT Tier 4 Engine, With Suspension	SB4QDMBAGRT120AT3
MF 7622 DynaVT Tier 4 Engine, No Suspension	SB4QDMBAGRT120AT3
MF 7622 DynaVT Tier 4 Engine, With Suspension	SB4QDMBAGRT120AT3
MF 7624 DynaVT Tier 4 Engine, No Suspension	SB4QDMBAGRT120AT3
MF 7624 DynaVT Tier 4 Engine, With Suspension	SB4QDMBAGRT120AT3
MF 7715S DynaVT, No Suspension	SB4QDMBMF7720SDVT
MF 7715S DynaVT, With Suspension	SB4QDMBMF7720SDVT
MF 7716S DynaVT, No Suspension	SB4QDMBMF7720SDVT
MF 7716S DynaVT, With Suspension	SB4QDMBMF7720SDVT
MF 7718S DynaVT, No Suspension	SB4QDMBMF7720SDVT
MF 7718S DynaVT, With Suspension	SB4QDMBMF7720SDVT
MF 7720S DynaVT, No Suspension	SB4QDMBMF7720SDVT
MF 7720S DynaVT, With Suspension	SB4QDMBMF7720SDVT
MF 7722S DynaVT, No Suspension	SB4QDMBMF7720SDVT
MF 7722S DynaVT, With Suspension	SB4QDMBMF7720SDVT
MF 7724S DynaVT, No Suspension	SB4QDMBMF7720SDVT
MF 7724S DynaVT, With Suspension	SB4QDMBMF7720SDVT
MF 7726S DynaVT, No Suspension	SB4QDMBMF7720SDVT
MF 7726S DynaVT, With Suspension	SB4QDMBMF7720SDVT

New Holland

New Holland TS100A	SB4QDMBCIMXU125
New Holland TS110A	SB4QDMBCIMXU125
New Holland Power Star 100	SB4QDMBNHT4120
New Holland Power Star 110	SB4QDMBNHT4120
New Holland Power Star 120	SB4QDMBNHT4120
New Holland TS115	SB4QDMBCIMXU125
New Holland TS115A	SB4QDMBCIMXU125
New Holland TS125A	SB4QDMBCIMXU125
New Holland TS130A	SB4QDMBCIMXU125
New Holland TS135A	SB4QDMBCIMXU125
New Holland T4.100	SB4QDMBNHT4120
New Holland T4.110	SB4QDMBNHT4120
New Holland T4.120	SB4QDMBNHT4120
New Holland T5.115	SB4QDMBNHT5060
New Holland T5.120	SB4QDMBNHT5060
New Holland T5060	SB4QDMBNHT5060
New Holland T5070	SB4QDMBNHT5060
New Holland T6020 Before S/N Z7BD04136	SB4QDMBNHT6070
New Holland T6020 After S/N Z7BD04136	SB4QDMBCIMXU125
New Holland T6030 Before S/N Z7BD04136	SB4QDMBNHT6070
New Holland T6030 After S/N Z7BD04136	SB4QDMBCIMXU125
New Holland T6040 Before S/N Z7BD04136	SB4QDMBNHT6070
New Holland T6040 After S/N Z7BD04136	SB4QDMBCIMXU125
New Holland T6050 Before S/N Z7BD04136	SB4QDMBNHT6070
New Holland T6050 After S/N Z7BD04136	SB4QDMBCIMXU125
New Holland T6070 Before S/N Z7BD04136	SB4QDMBNHT6070
New Holland T6070 After S/N Z7BD04136	SB4QDMBCIMXU125
New Holland TS6.110, Teir 4B	SB4QDMBNHTS6120
New Holland TS6.120, Teir 4B	SB4QDMBNHTS6120
New Holland TS6.130, Teir 4B	SB4QDMBNHTS6120
New Holland T6.140, No Suspension	SB4QDMBCIMXU125
New Holland T6.140, With Suspension	SB4QDMBCIMXU125
New Holland TS6.140, Teir 4B	SB4QDMBNHTS6120

New Holland T6.145, No Suspension	SB4QDMBCIMXU125
New Holland T6.145, With Suspension	SB4QDMBCIMXU125
New Holland T6.150, No Suspension	SB4QDMBCIMXU125
New Holland T6.150, With Suspension	SB4QDMBCIMXU125
New Holland T6.155, No Suspension	SB4QDMBCIMXU125
New Holland T6.155, With Suspension	SB4QDMBCIMXU125
New Holland T6.155, Tier 4B No Suspension	SB4QDMBCIMXU125
New Holland T6.155, Tier 4B With Suspension	SB4QDMBCIMXU125
New Holland T6.160, No Suspension	SB4QDMBCIMXU125
New Holland T6.160, With Suspension	SB4QDMBCIMXU125
New Holland T6.165, No Suspension	SB4QDMBCIMXU125
New Holland T6.165, With Suspension	SB4QDMBCIMXU125
New Holland T6.175, No Suspension	SB4QDMBCIMXU125
New Holland T6.175, With Suspension	SB4QDMBCIMXU125
New Holland T6.180, No Suspension	SB4QDMBCIMXU125
New Holland T6.180, With Suspension	SB4QDMBCIMXU125
New Holland T7030 No Suspension	SB4QDMBNHT7060
New Holland T7030 With Suspension	SB4QDMBNHT7060
New Holland T7040 No Suspension	SB4QDMBNHT7060
New Holland T7040 With Suspension	SB4QDMBNHT7060
New Holland T7050 No Suspension	SB4QDMBNHT7060
New Holland T7050 With Suspension	SB4QDMBNHT7060
New Holland T7060 No Suspension	SB4QDMBNHT7060
New Holland T7060 With Suspension	SB4QDMBNHT7060
New Holland T7.170 No Suspension	SB4QDMBCIPU140
New Holland T7.170 With Suspension	SB4QDMBCIPU140
New Holland T7.185 No Suspension	SB4QDMBCIPU140
New Holland T7.185 With Suspension	SB4QDMBCIPU140
New Holland T7.200 No Suspension	SB4QDMBCIPU140
New Holland T7.200 With Suspension	SB4QDMBCIPU140
New Holland T7.210 No Suspension	SB4QDMBCIPU140
New Holland T7.210 With Suspension	SB4QDMBCIPU140
New Holland T7.220 No Suspension	SB4QDMBNHT7060
New Holland T7.220 With Suspension	SB4QDMBNHT7060
New Holland T7.230 No Suspension	SB4QDMBNHT7060
New Holland T7.230 With Suspension	SB4QDMBNHT7060
New Holland T7.235 No Suspension	SB4QDMBNHT7060
New Holland T7.235 With Suspension	SB4QDMBNHT7060
New Holland T7.245 No Suspension	SB4QDMBNHT7060
New Holland T7.245 With Suspension	SB4QDMBNHT7060
New Holland T7.250 No Suspension	SB4QDMBNHT7060
New Holland T7.250 With Suspension	SB4QDMBNHT7060
New Holland T7.260 No Suspension	SB4QDMBNHT7060
New Holland T7.260 With Suspension	SB4QDMBNHT7060
New Holland T7.270 No Suspension	SB4QDMBNHT7060
New Holland T7.270 With Suspension	SB4QDMBNHT7060

SB5QDM Quick Attach Snow Blade Mount

The HLA Quick Attach Snow Blade Mount is securely connected to both the front and rear of your tractor. Relying on the rear of the mount, the force is pushed through the drawbar from the front of the mount providing incredible pushing strength. Also using parallel linkage, you can rest assured that the blade will always remain parallel to the ground whether it's raised for stacking snow or at full angle.

The quick release design relies on front and rear adapter brackets fitted to the tractors chassis. With the hydraulics connected, down pressure on the blade allows you to raise the undermount aligning it with the front bracket. Once engaged reversing the pressure raises the rear of the undermount locking it into the rear bracket.

Available for most makes, the undercarriage mount includes all hardware, hose kits and electro - hydraulic wire kit allowing for easy installation.

SB5QDM Quick Attach Snow Blade Mount	Weight	UOM	Part #	Price
SB5QDM Quick Attach Snow Blade Mount less Mount Kit	1500 lbs	ea	SB5QDMQF	\$8,656.00
SB5QDM Quick Attach Undermount Mount Kit	Variable	ea	see tractor listing	\$3,294.00
Optional Hydraulic Top Link Kit for SB5QDMQF	55 lbs	ea	SB5QDMHTLK	\$2,081.00
Optional Factory Blade Installation - SB5QDM		ea	SB5000IN	\$1,647.00

To Order And Price Blades Fitting To SB5QDM Quick Attach Snow Blade Mount

Choose desired blade part # and add mounting part #JRB416, which is Price Code D + \$549.00
Specify if connecting to midmount valve or rear remotes.



1 Power and Control

- Heavy duty parallel linkage for optimum lifting height
- JRB416 industrial mount for attachments is standard
- Package includes all mounting hardware and hose kits
- Mount Kits available for most tractor makes, call dealer for details
- Soft ride accumulator standard

2 Parallel Vertical Lift

- Blade remains parallel to ground even at full angle and raised
- Extra height for piling snow

3 Quick Release System

- Quick Release system allows for removal of the complete under mount in minutes



SB5QDM Quick Attach Snow Blade Mount Kits

SB5QDM Quick Attach Snow Blade Mount Kits

Model #	Part #
Case IH	
Case IH Magnum 230 With Cat 3 Drawbar	SB5QDMBCIMA260C3
Case IH Magnum 230 With Cat 4 Drawbar	SB5QDMBCIMA260C4
Case IH Magnum 260 With Cat 3 Drawbar	SB5QDMBCIMA260C3
Case IH Magnum 260 With Cat 4 Drawbar	SB5QDMBCIMA260C4
Case IH Magnum 290 With Cat 3 Drawbar	SB5QDMBCIMA260C3
Case IH Magnum 290 With Cat 4 Drawbar	SB5QDMBCIMA260C4
Case IH Magnum 315 With Cat 3 Drawbar	SB5QDMBCIMA260C3
Case IH Magnum 315 With Cat 4 Drawbar	SB5QDMBCIMA260C4
Case IH Magnum 340 With Cat 3 Drawbar	SB5QDMBCIMA260C3
Case IH Magnum 340 With Cat 4 Drawbar	SB5QDMBCIMA260C4

John Deere	
John Deere 7630	SB5QDMBJD7920
John Deere 7720	SB5QDMBJD7920
John Deere 7820	SB5QDMBJD7920
John Deere 7830	SB5QDMBJD7920
John Deere 7920	SB5QDMBJD7920
John Deere 7930	SB5QDMBJD7920
John Deere 8000 Series	SB5QDMBJD8000
John Deere 8010 Series	SB5QDMBJD8000
John Deere 8020 Series	SB5QDMBJD8000
John Deere 8030 Series	SB5QDMBJD8030
John Deere 8225R	SB5QDMBJD8030
John Deere 8235R	SB5QDMBJD8030
John Deere 8245R Tier 3	SB5QDMBJD8030
John Deere 8245R Tier 4B	SB5QDMBJD8030
John Deere 8260R	SB5QDMBJD8030
John Deere 8270R Tier 3	SB5QDMBJD8030
John Deere 8270R Tier 4B	SB5QDMBJD8030
John Deere 8285R	SB5QDMBJD8030
John Deere 8295R Tier 3	SB5QDMBJD8030
John Deere 8295R Tier 4B	SB5QDMBJD8030
John Deere 8310R	SB5QDMBJD8030
John Deere 8320R Tier 3	SB5QDMBJD8030
John Deere 8320R Tier 4B	SB5QDMBJD8030

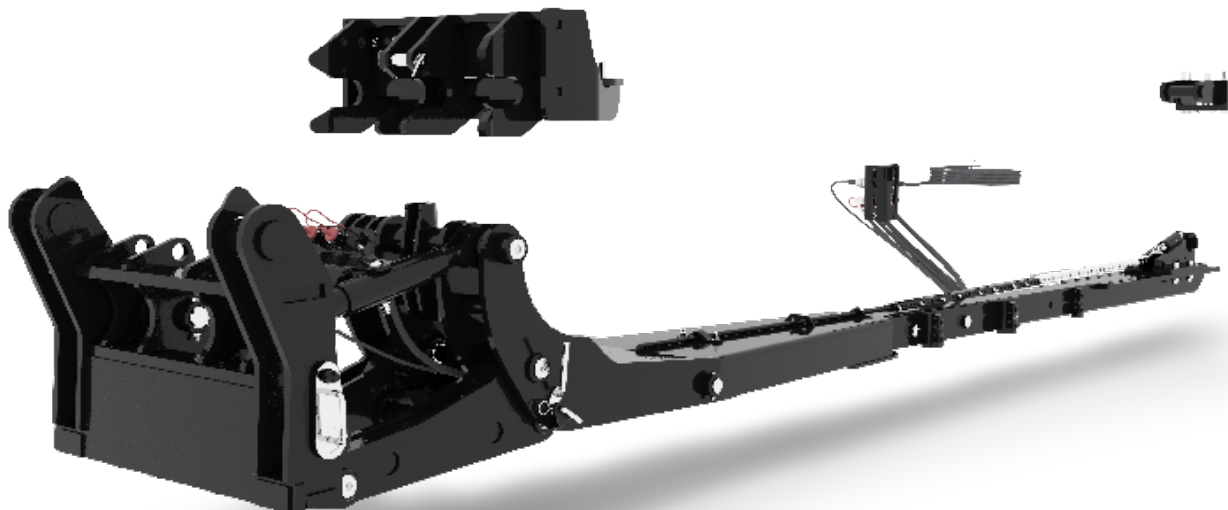
John Deere 8335R	SB5QDMBJD8030
John Deere 8345R Tier 3	SB5QDMBJD8030
John Deere 8345R Tier 4B	SB5QDMBJD8030
John Deere 8360R	SB5QDMBJD8030
John Deere 8370R	SB5QDMBJD8030

Fendt	
Fendt 822 S4	SB5QDMBFT824S4
Fendt 822 NA S4	SB5QDMBFT824S4
Fendt 824 S4	SB5QDMBFT824S4
Fendt 824 NA S4	SB5QDMBFT824S4
Fendt 826 S4	SB5QDMBFT824S4
Fendt 826 NA S4	SB5QDMBFT824S4
Fendt 828 S4	SB5QDMBFT824S4
Fendt 828 NA S4	SB5QDMBFT824S4

Kubota	
Kubota M7-152	SB5QDMBKUM7171
Kubota M7-171	SB5QDMBKUM7171
Kubota M7-172	SB5QDMBKUM7171
Kubota M8-181	SB5QDMBKUM8201
Kubota M8-201	SB5QDMBKUM8201

New Holland	
New Holland T8.275 With Cat 3 Drawbar	SB5QDMBNHT8390C3
New Holland T8.275 With Cat 4 Drawbar	SB5QDMBNHT8390C4
New Holland T8.300 With Cat 3 Drawbar	SB5QDMBNHT8390C3
New Holland T8.300 With Cat 4 Drawbar	SB5QDMBNHT8390C4
New Holland T8.330 With Cat 3 Drawbar	SB5QDMBNHT8390C3
New Holland T8.330 With Cat 4 Drawbar	SB5QDMBNHT8390C4
New Holland T8.360 With Cat 3 Drawbar	SB5QDMBNHT8390C3
New Holland T8.360 With Cat 4 Drawbar	SB5QDMBNHT8390C4
New Holland T8.390 With Cat 3 Drawbar	SB5QDMBNHT8390C3
New Holland T8.390 With Cat 4 Drawbar	SB5QDMBNHT8390C4

Versatile	
Versatile Nemesis 175	SB5QDMBKUM8201
Versatile Nemesis 195	SB5QDMBKUM8201
Versatile Nemesis 210	SB5QDMBKUM8201



Undercarriage Mounts for Older Tractors

The HLA Undercarriage Mount is securely connected to both the front and rear of your tractor. Relying on the rear of the mount, the force is pushed through the drawbar from the front of the mount providing incredible pushing strength. Also using parallel linkage, you can rest assured that the blade will always remain parallel to the ground whether it's raised for stacking snow or at full angle.

Available for most makes, the undercarriage mount includes all hardware and hose kits allowing for easy installation.

1 Power and Control

- Heavy duty parallel linkage for optimum lifting height
- AO600 Euro quick attach for attachments is standard on 3000 & 4000 series
- JRB416 industrial mount quick fit plate for attachments is standard on 5000 series
- Package includes all mounting hardware and hose kits
- Mounts available for most makes, call dealer for details
- Soft ride accumulator standard feature on 3000/4000 & 5000 series

2 Parallel Vertical Lift

- Blade remains parallel to ground even at full angle and raised
- Extra height for piling snow

3000 Series Snow Blade Mounts	Weight	UOM	Part #	Price
3000 Series Snow Blade Mount	800 lbs	ea	SB3000DM	\$7,595.00
Optional Factory Blade Installation - SB3000DM		ea	SB3000IN	\$946.00

4000 Series Snow Blade Mounts	Weight	UOM	Part #	Price
4000 Series Snow Blade Mount	1020 lbs	ea	SB4000DM	\$9,480.00
Optional Factory Blade Installation - SB4000DM		ea	SB4000IN	\$1,550.00

To order and price blades fitting to 3000 & 4000 Series under mount:
Choose desired blade part # and add mounting part #AO600, which is Price Code A.
To fit the Euro carrier
Specify if connecting to midmount valve or rear remotes

5000 Series Snow Blade Mounts	Weight	UOM	Part #	Price
5000 Series Snow Blade Mount	1860 lbs	ea	SB5000DM	\$11,950.00
Optional Factory Blade Installation - SB5000DM		ea	SB5000IN	\$1,647.00

To order and price blades fitting to 5000 Series under mount:
Choose desired blade part # and add mounting part #JRB416, which is Price Code D + \$549.00
Specify if connecting to midmount valve or rear remotes

Example: For a 12 ft 4000 Series blade to fit JD 7210
Blade part# SB400012AO600
Under mount part # SB4000DMJD7210

Factory blade installation available when tractor supplied

